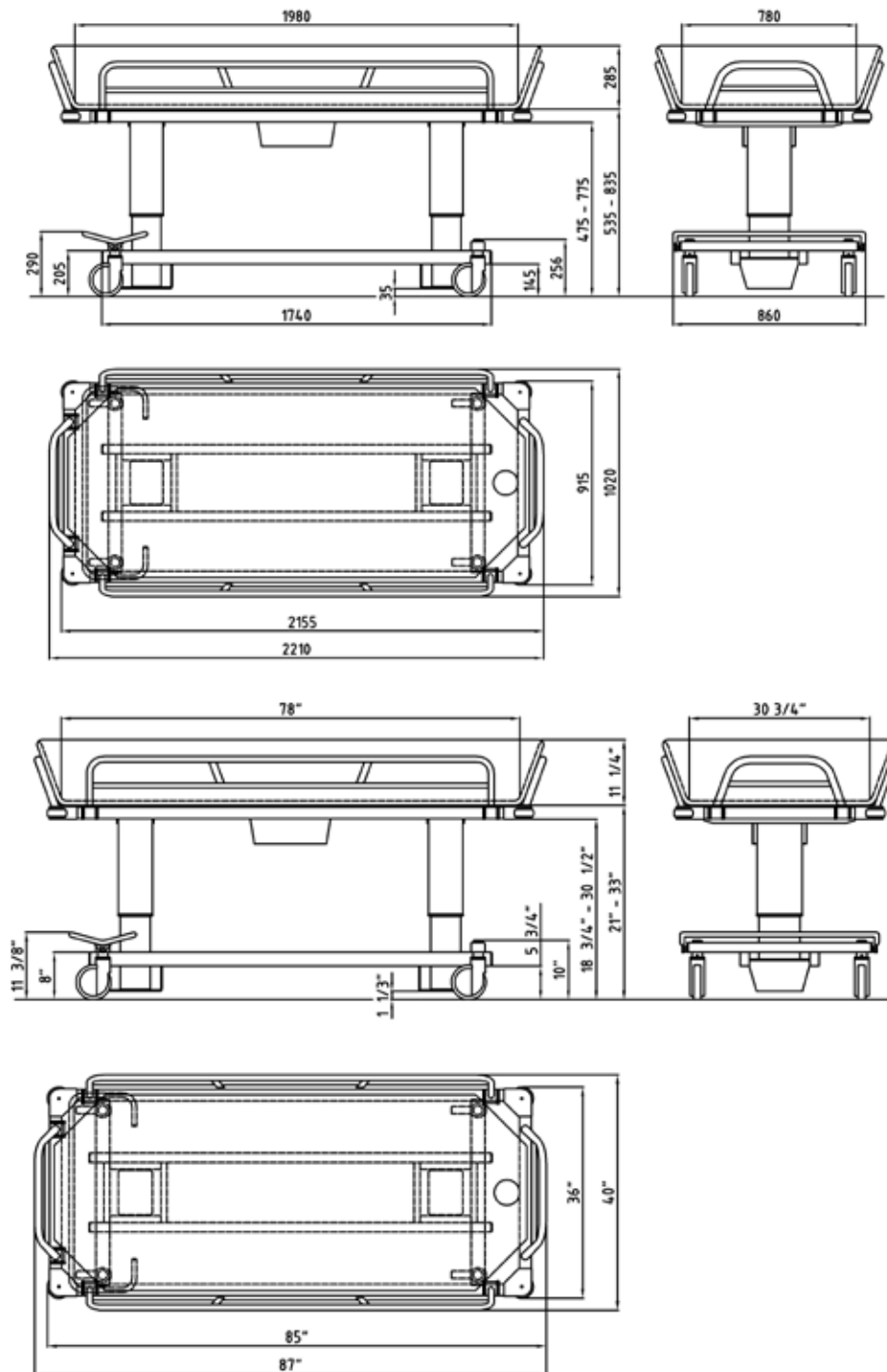


# TR 4000 Atlas

## Bariatric shower trolley



### Product measurements



#### TR EQUIPMENT

TR EQUIPMENT AB P.O. Box 116, S-573 22, TRANÅS, SWEDEN  
 TR GROUP INC. 903 WEDEL LANE, GLENVIEW, ILLINOIS 60025, USA  
 TR EQUIPMENT UK LTD. 10 JURY STREET, WARWICK, CV34 4EW, ENGLAND

Phone: +46 140-38 50 60  
 Phone: 800-752-6900  
 Phone: +44 844 335 8386

*Hygiene Equipment Designed for People*

Fax: +46 140-38 50 61  
 Fax: 847-724-8566  
 Fax: +44 844 335 8383

[www.trequipment.com](http://www.trequipment.com)

