



TRANÅS ROSTFRIA

TR 900, TR 900C, TR 900CW HILO, FREE-STANDING LIFT BATH INSTALLATION INSTRUCTIONS, see enclosed DRAWING for measures.

May 2004

BATH ROOM LAYOUT

Recommended room size 2400 x 3000 mm, or larger.

PLUMBING ROUGH - IN

Pipe, hoses and fittings, to and from bath connections including backflow preventors (check valves), shut-off valves and filters, to be supplied and installed by others and to comply with local building and plumbing regulations.

To eliminate pipe debris it is essential that supply pipes are thoroughly flushed before connection of the bathtub.

The bathtub drainage shall be connected to floor or wall drainage.

To level the legs adjust the feet.

The TR installation set art no.05193010 and 05193020 includes: check valves, valves with strainers and flexible hoses of 50 cm. Avoid any kinks on the hose curve when bending.

Bathtub with autofill: Set the shower flow rate by adjusting the ball-valve inside the panel located on the shower piping.

Weight filled	500 kg
Weight empty	250 kg
Water volume	250 lit
Water pressure	2 - 6 bar. Inlet dynamic pressures nominally balanced to within 10% of each other during flow.
Flow rate	6-120 l/min
Hot water temp	65 C. Differential of approx. 50 degrees between hot and cold water inlet temperatures.
Drainage	100 litre per minute

ELECTRICAL ROUGH-IN

Standard electrical requirements: 230 volts, 50 Hz, 10 Amps.

Permanent connection installed by others.

NOTE: All electrical conduit, fitting and wire to bath supplied and installed by your professional electrician in accordance with local or applicable electric code as a minimum requirement.

Main switch with signal lamp, main fuse and earth circuit breaker are not included and must be supplied by others.

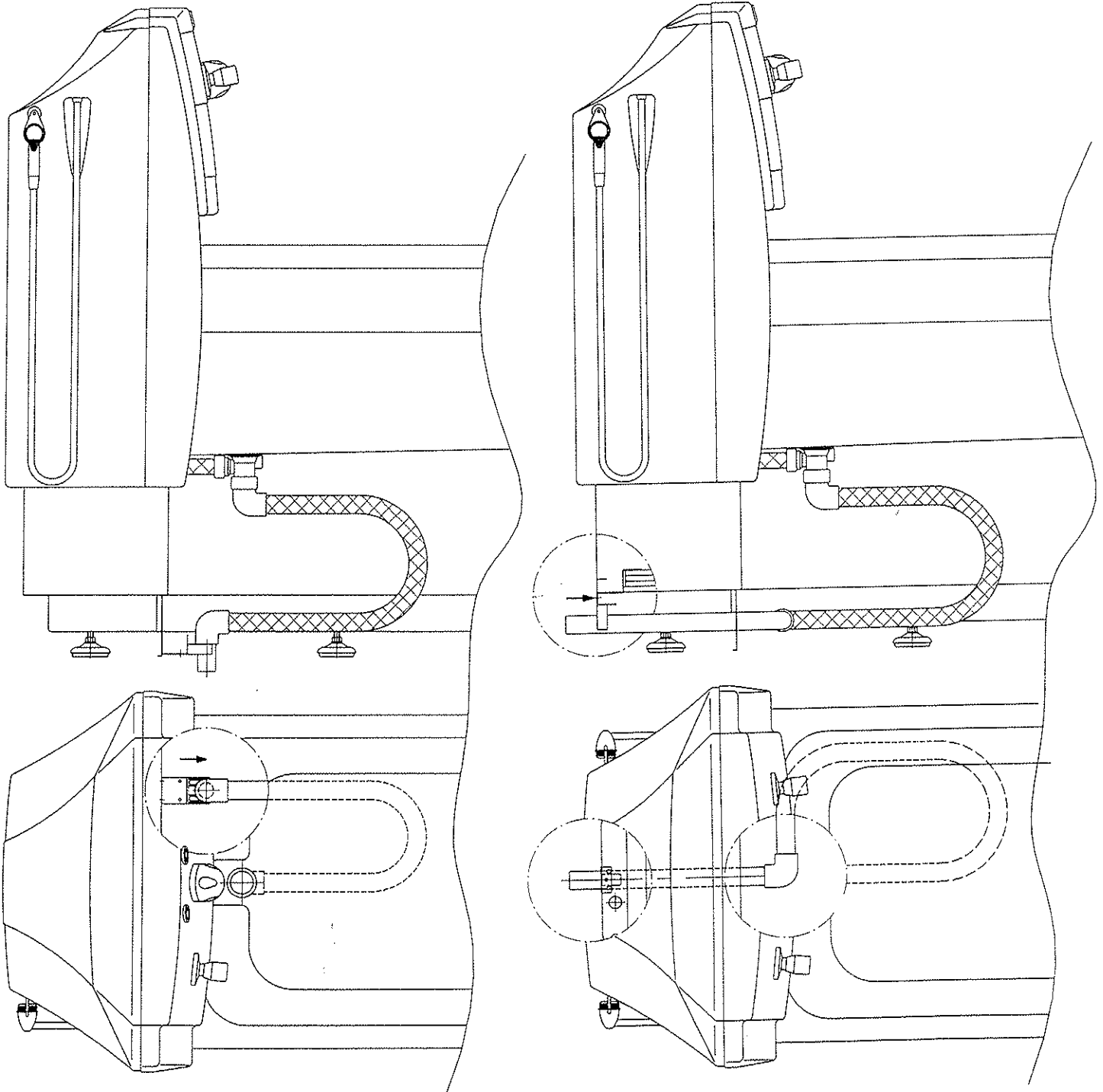
CAUTION: Polarity and grounding must be correct. Improper connection may result in injury.

TRANÅS ROSTFRIA AB
PO BOX 116, SE-573 22 TRANÅS, SWEDEN
PHONE +46 (0)140-38 50 60 FAX+46 (0)140 38 50 61
e-mail:info@treqipment.se
www.treqipment.se



TR900, TR900C, TR900CW

AUTOFILL



FLOOR DRAINAGE

MOUNT THE BRACKET FOR THE DRAINAGE PIPE TO THE FRONT OF THE PANEL. ADJUST BY CUTTING THE LENGTH OF THE PIPE

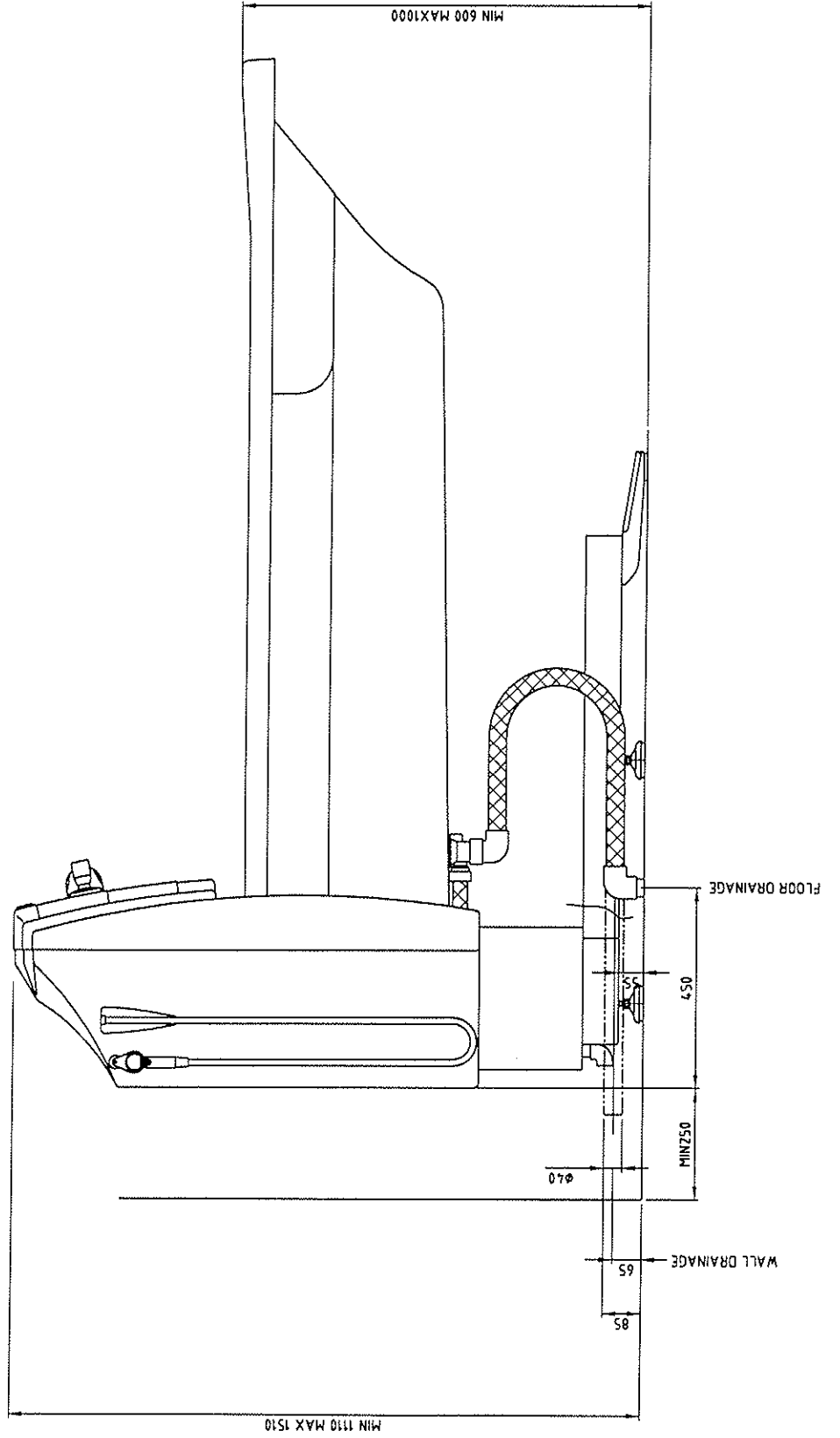
WALL DRAINAGE

MOUNT THE BRACKET FOR THE DRAINAGE PIPE TO THE BACK OF THE PANEL.



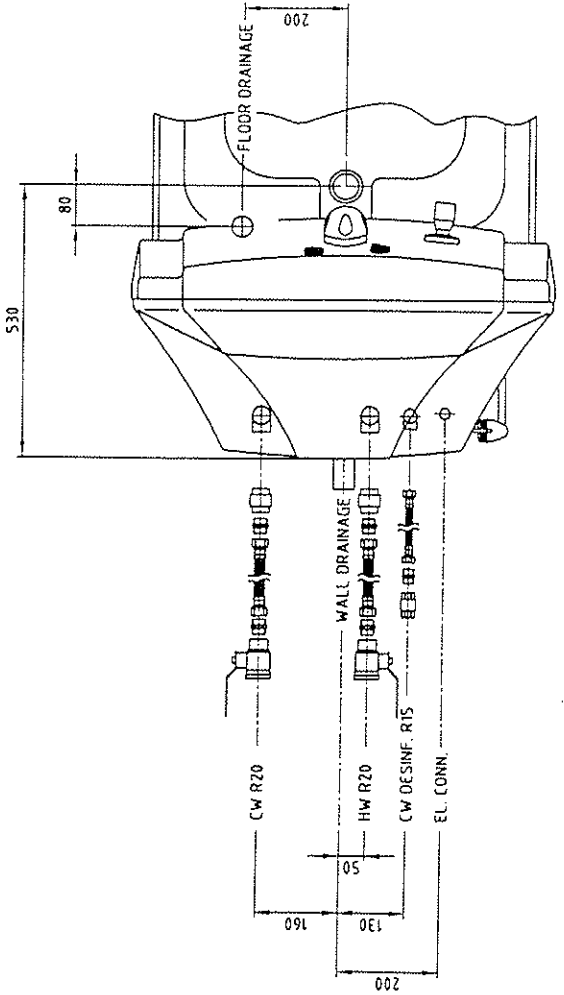
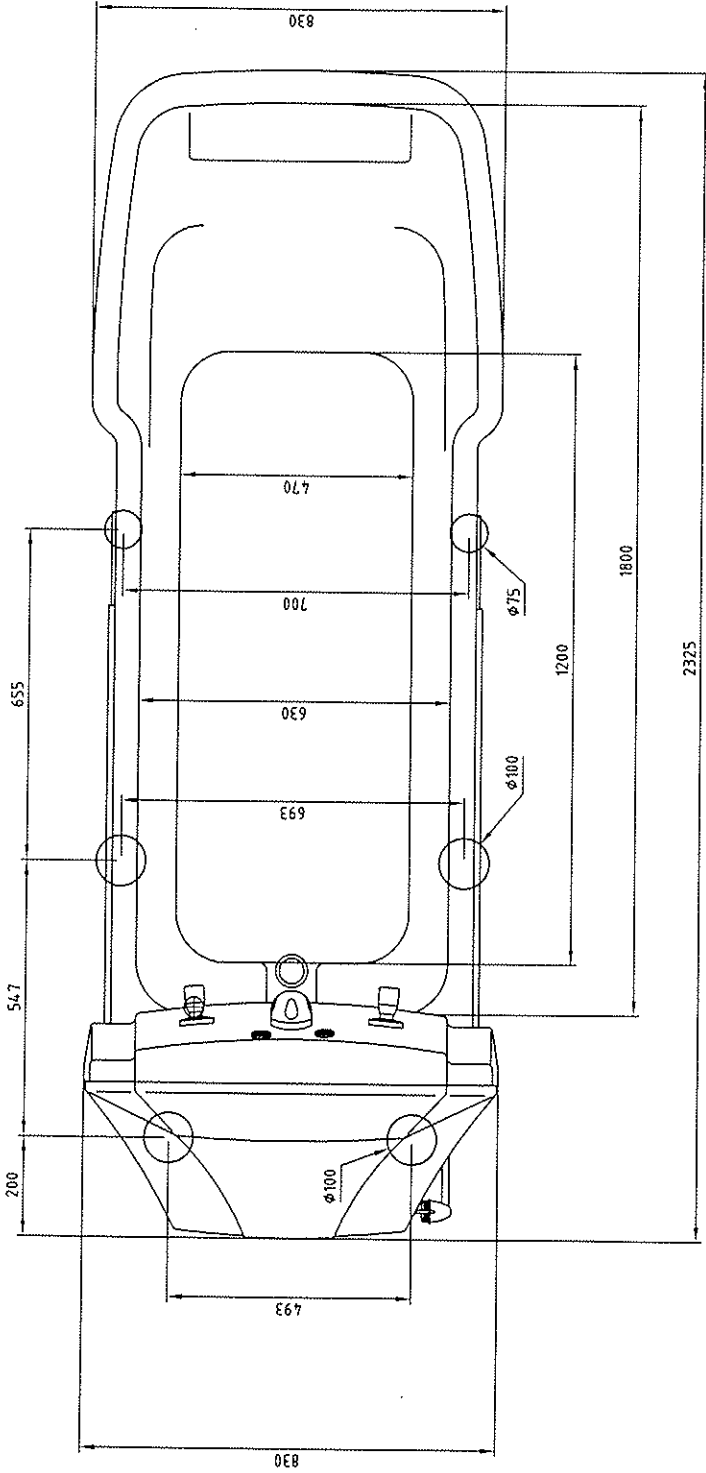
INSTALLATION DRAWING
HEIGHT ADJUSTABLE BATHTUB MODEL
TR 900, TR 900C, TR 900CW

(+see separate installation instructions)





INSTALLATION DRAWING
HEIGHT ADJUSTABLE BATHTUBS MODEL
TR 900, TR 900C, TR 900CW



MANUFACTURER



TRANÅS ROSTFRIA AB
PO Box 116, SE-573 22 TRANÅS,
SWEDEN

Phone +46 140 38 50 60

Fax +46 140 38 50 61

e-mail: info.@treqipment.se