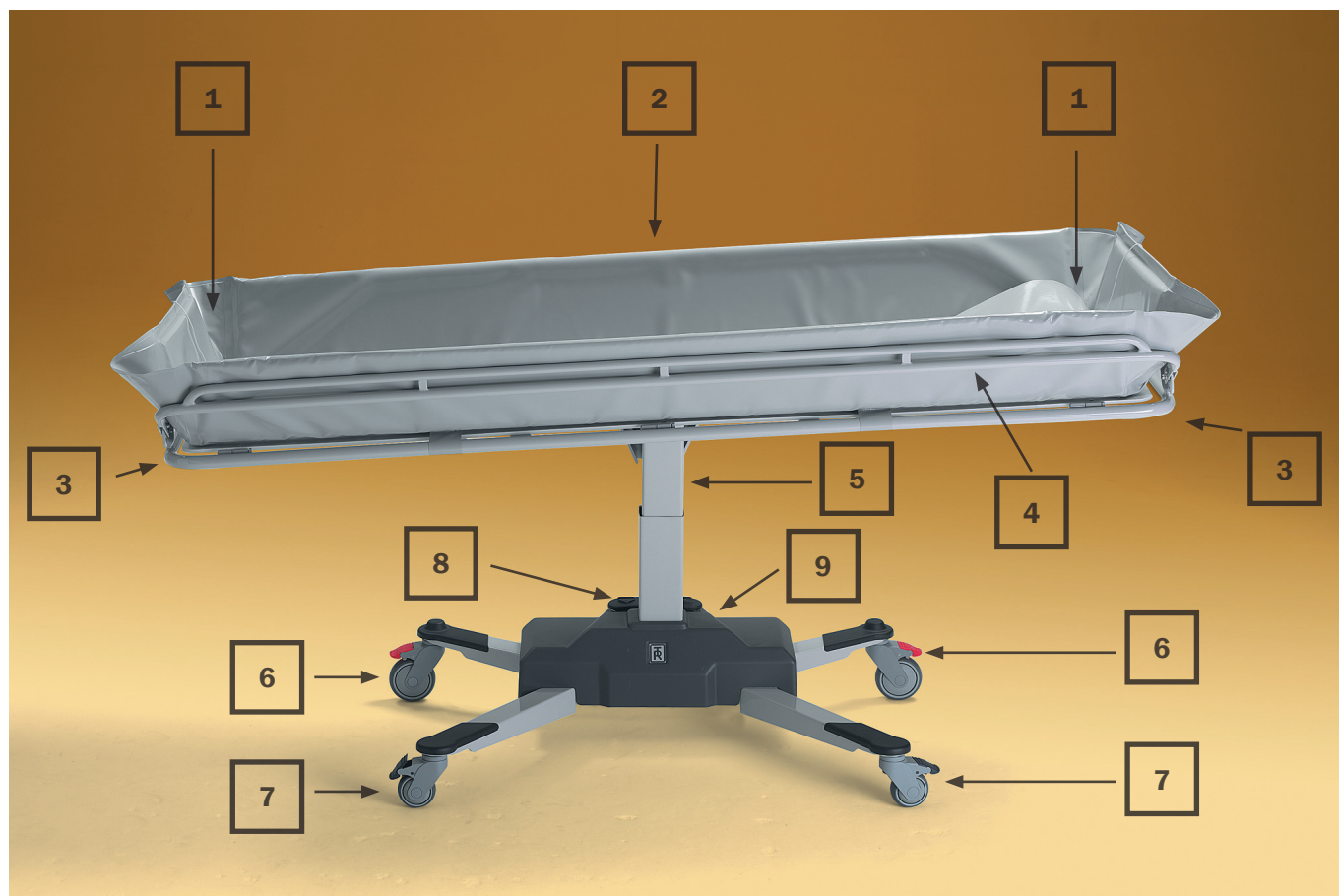


# TR 3000

Battery operated shower trolley



## Quick guide



1	Head/drainage end
2	Nurse side: Foldable nurse side rail
3	Tilt handle
4	Bed side: Foldable bed side rail overlapping bed surface
5	Side mounted column
6	Positive brake castor
7	Straight steering castor
8	Foot control for height adjustment
9	Battery charging input

**Working Load Limit: 150 kg (330 lbs)**

# TR 3000

## Battery operated shower trolley



- Only qualified staff, who understand all operating and safety procedures may operate the equipment.
- **Never** leave the patient unattended.
- **Never** let the patient sit on the short ends on the trolley.
- Castor brakes must be securely locked on the Trolley before transferring a patient and once in position over a drain.
- The patient must be positioned comfortably on the trolley mattress, with side rails SECURELY locked.
- Make sure that all parts that come in contact with the patient are intact and without sharp edges.
- Ensure that the Trolley can be moved, raised or lowered safely to avoid any pinch injuries to patient.
- Operate the Trolley carefully when transporting patients through narrow corridors or over irregular uneven surfaces.
- Always physically check water temperature before and during showering and that the thermoscopic mixer function properly.
- The TR battery charger is the only one approved for charging the Trolley.
- Do not use battery charger in wet or damp areas - potential shock hazard.
- It is recommended that the Trolley batteries are charged daily or whenever Trolley is not in use. Batteries can not be overcharged.
- Check that castor brakes and straight steering are free from damage.
- Be sure side rails are in place and free from damage and all screws are in place.
- Mattress and pillow must be kept well maintained in place.
- Ensure that the foot pedal on the hydraulic Trolley is swung out of the way.
- Trolley must be inspected visually for sign of wear. Trolley should not be used if defects are noted. Prompt service is required.

**Warning: Never use the Shower Trolley in any way that varies from the safety precautions and operating procedures detailed in the operating manual. The equipment must not be operated by anyone until the user has fully read and understands the instructions in the operating manual.**

**For further information see Operating manual.**